



We **do more** for productivity

C 300 High-Speed Double Sided Tablet Press

The new dimension for performance and economy



Features

- Exchangeable turret
- Ultra fast PLC control
- Automatic weight control through CFC
- Design conforming to cGMP & FDA
- Tablet output : Up to 758400 Tablets / Hour
- 15" Touch screen operator panel
- Large range of accessories:
 - Uphill - deduster
 - Online weight check system
 - Metal detector



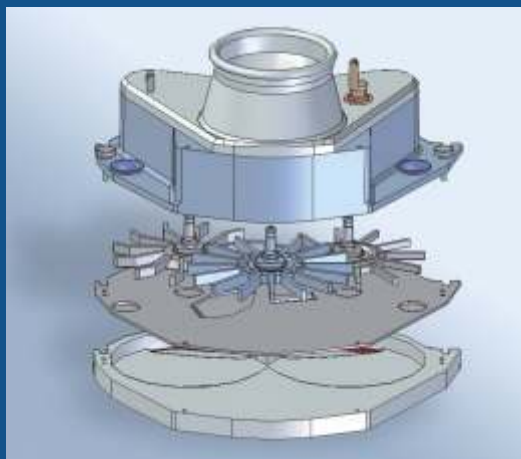


Advanced Filling System

- 3 paddle force feeder design for even material distribution
- Increased filling area for improved uniformity
- Minimized weight variation & product loss
- Easy disassembling of force feeder assembly & wheels
- Optimized cleanability

Hopper

- Stainless steel (AISI316) hopper
- Quick release dismantling
- Butterfly valve & level control device
- Glass window to watch powder level



Cadmach

Cadmach is part of a well established and successful corporation, incorporating global pharmaceutical and pharmaceutical machinery companies.

Since inception Cadmach established a high reputation for care & dedication by continuous innovation, quality & high standards of performance, resulting in substantial market shares in India, USA, Africa & various Asian and Middle East markets.

The Khambhatta family has been serving the Indian pharmaceutical industry for over 45 years and enjoys a high level of trust & confidence.

Several European & US companies value Cadmach as a reliable partner for marketing their products in India.

With an installed base of over 10,000 machines, Cadmach has accumulated the expertise and applications know-how to develop productive solutions with excellent economics.

Continuous pressure on profit margins and operational costs in the pharmaceutical industry require new concepts for reducing manufacturing-costs and CAPEX related to pharma machinery. Simultaneously plant availability and equipment effectiveness must be increased.



Mr. Pankaj R. Patel
Director Cadmach



Mr. Vinit Khambhatta
Director Cadmach



Mr. Ketan Khambhatta
Director Cadmach

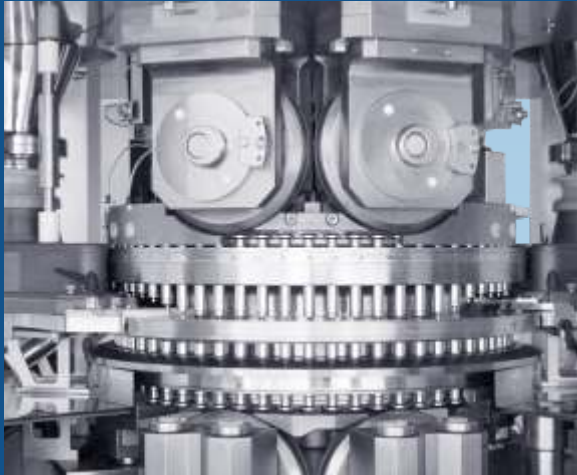
Cadmach has taken this challenge & presents a newly developed range of high performance tablet presses incorporating industry's requirements for performance, quality & economics of investment.

The Single Sided Tablet Press C 100

The Double Sided Tablet Press C 300



We **do more** for productivity



Double Sided Tablet Press For Double Capacity

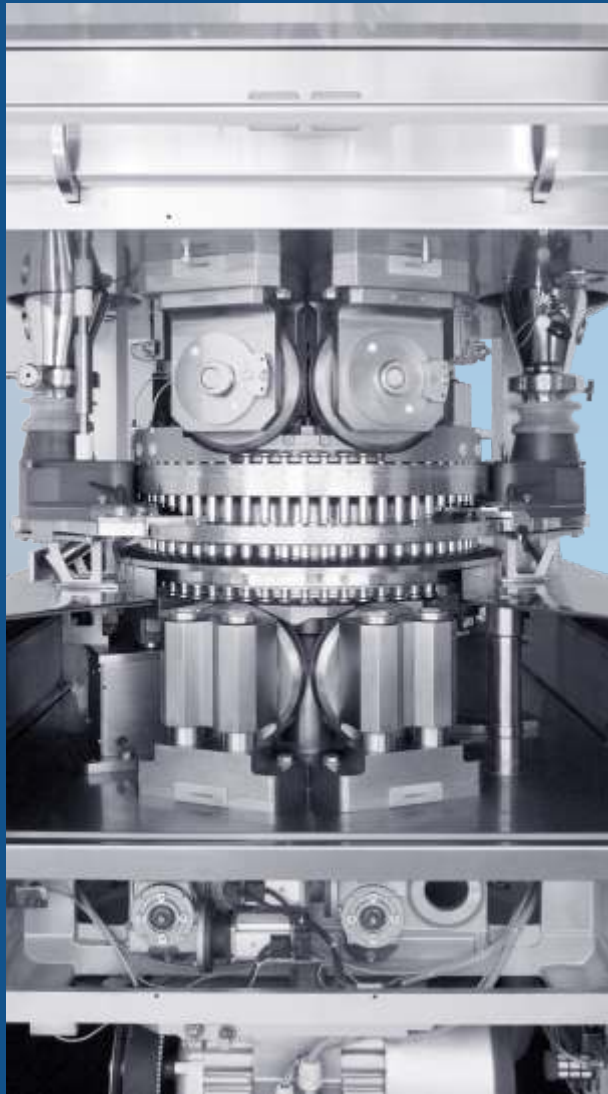
- 2 compression stations, filling units & tablet discharge chutes



Turret for Improved OEE

- 3 piece turret for D, B, BB & BBS tooling
- Stainless steel (AISI316) die plate
- Max turret speed 80 RPM
- Rapid format & product changeover
- Reduction of down time by using additional exchange turret
- Reduction of cleaning time
- Turret exchange does not require validation or qualification
- Toolless change over





Features

- Solid 4 column design for reduced vibration & improved dampening
- Stainless steel / electro nickel plated components in compression area
- Dust tight separation between process & technics area
- Centrally dust extraction system
- Design for safety & easy maintenance
- Identical main & pre compression rolls for optimized dwell times
- Main & Pre compression up to 100 kN
- Large windows on 4 sides
- Acoustic design for reduced noise level
- Improved accessibility & effective cleaning
- Fast product changeover
- Upper & lower doors with safety interlocks
- LED operation mode display





We **do more** for productivity

Control Features

- 21 CFR part 11 compliance
- Automatic weight control through compression force measurement & relative dosage control
- Measurement of main & pre compression
- Ejection force measurement (optional)
- Bad & single tablet rejection
- Machine auto set up
- Various punch protection strategies
- Tablet sampling device
- Recipe parameters & management
- Memory storage 100 recipes (extension optional)
- Batch documentation / printing
- Machine status with release & indication alarms
- Multilevel password strategies



Technical Specification

Type	C300-49D	C300-61B	C300-73BB	C300-79BBS
No. of Stations	49	61	73	79
Type of Tooling	D	B	BB	BBS
*Rated Output/h	58,800 to 470,400	73,200 to 585,600	87,600 to 700,800	94,800 to 758,400
Turret Rotation Speed min ⁻¹	10 - 80	10 - 80	10 - 80	10 - 80
Max. Main Comp. Force kN	100	100	100	100**
Max. Pre Comp. Force kN	100	100	100	100**
Max. Tablet Diameter mm	25	16	13	11
Max. Depth of Die Fill mm	20	18	18	18
Max. Tablet Thickness mm	8.5	8.5	8.5	8.5
Upper Punch Penetr. Depth mm	2 - 4	2 - 4	2 - 4	2 - 4
Power Consumption kW/hp	17 / 23	17 / 23	17 / 23	17 / 23
Power Supply Data	220 V / 380 V / 415 V / 480 V +/- 10% - 3 Ph - 50 / 60 Hz			
Overall Dimensions mm	1718 W X 1751 D X 2066 H			
Net Weight approx kg	5250	5250	5250	5250

* Depending upon tooling size & shape and also material characteristics

** Tools only permit up to 70 kN

* If tool are large and filling depths is high the machine cannot be run at the highest capacity.
Because of the technical progress Cadmach reserve the rights of alteration





We **do more** for productivity

Foot Print

Code No. Description

- | Code No. | Description |
|----------|---|
| 1 | Anti vibration mount |
| 2 | Lower guards |
| 3 | Upper guards |
| 4 | Hopper |
| 5 | Discharging chute |
| 6 | Cooling fan |
| 7 | Machine light |
| 8 | Emergency push button |
| 9 | Dust extraction outlet (Ø2-1/2") |
| 10 | Computerised control panel (107 kg) |
| 11 | Operator terminal with 15" touch screen |
| 12 | Separate electric panel box (powder coated) |
| 13 | Turret change over trolley (approx 320 kg) |
| 14 | Air inlet |
| 15 | Inbuilt electric panel box (hinge type) |
| 16 | Electric supply cable |

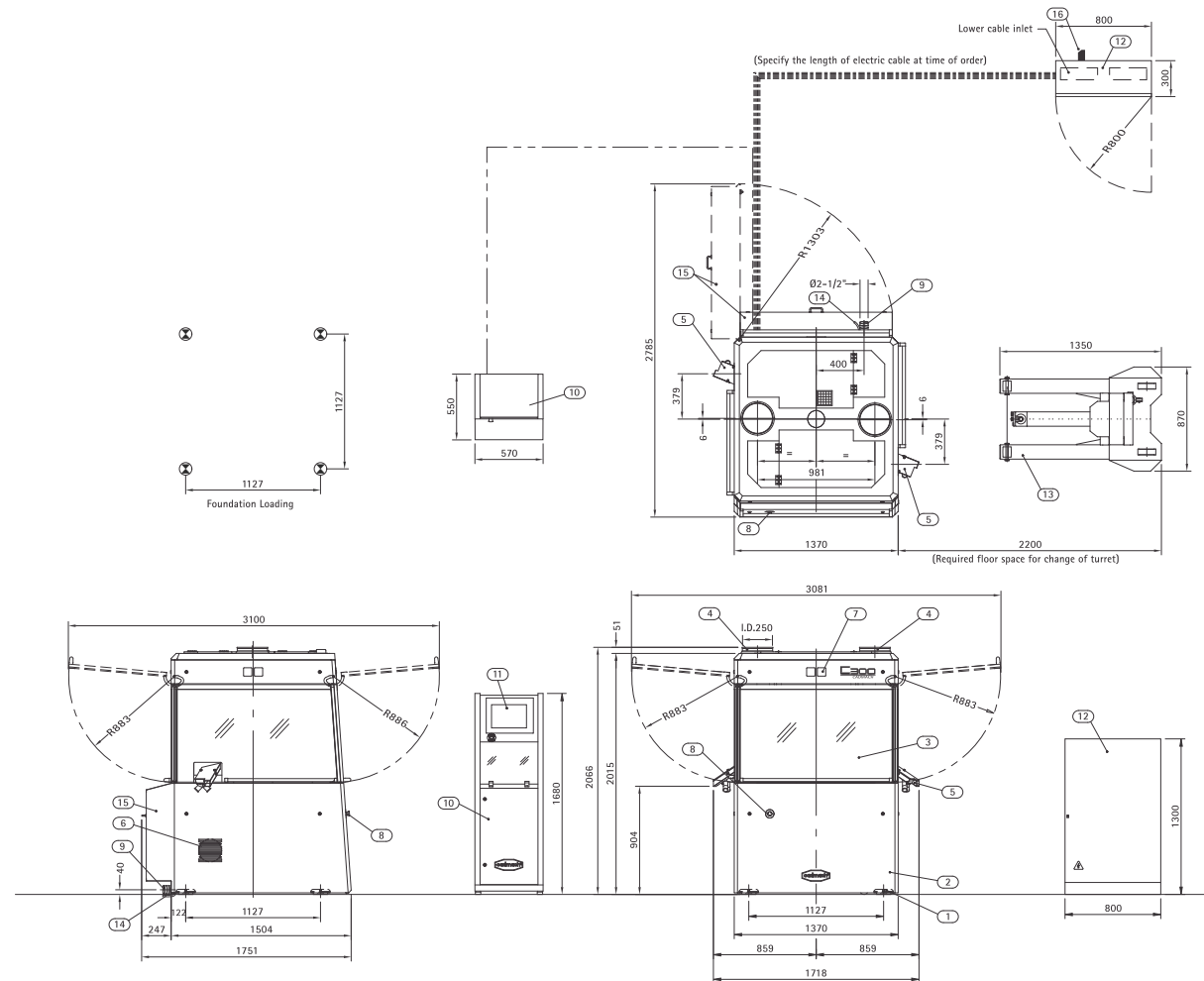
Note

- All dimensions are in millimeter
- Minimum space required for installation of the machine

Depth	= 5486 mm (18')
Width	= 5486 mm (18')
Height	= 3658 mm (12')

Utilities

- Power consumption : 17 kW, 3 ph, 50/60 Hz
 Suction air : 300 CFM
 Compressed air : 5 kg/cm²





We **do more** for productivity

Cadmach Technology Center

Service / Maintenance

- Mechatronics qualified service engineers

Scope of Services

- Installation
- Commissioning
- Validation
- Maintenance
- Calibration
- Customizing

Training

Individual training programs tailored to customer's requirement

Spare Parts

Cadmach original spare parts are available from the

Cadmach Technology Center Europe within 24-48 Hours*

*availability for standard parts and if order received by 12am the previous day



HEAD OFFICE & PLANT INDIA

Plot No. 3604 & 3605, GIDC, Phase IV, Vatva,
Ahmedabad 382 445. INDIA.

Phone : +91 79 2584 1491 / 92 / 93

Fax : +91 79 2584 2602

E-mail : info@cadmach.com

Web : www.cadmach.com

CMC MACHINERY LLC USA

743 Alexander Road, Suite # 5, Princeton,
NJ 08540. USA.

Phone : +1 609 720 9800

Fax : +1 609 720 9810

E-mail : salesusa@cmcmach.com

Web : www.cadmachamerica.com