

ChargePoint   
PharmaSafe<sup>®</sup>

Extraction System



## PharmaSafe Extraction System

### Dust Particulate Extraction System

The ChargePoint Extraction System system provides safe dust particulate extraction in conjunction with the PharmaSafe Pro containment valve, when there is no suitable air handling available

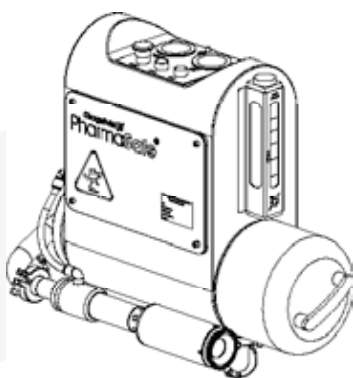
PharmaSafe Extraction System is an efficient HEPA filtered air extraction module, suitable for use in conjunction with a number of applications.

Combined with the high containment PharmaSafe pro ChargePoint valve system, it offers the necessary extraction from the split butterfly valve in order to achieve the nanogram containmnet level performance.

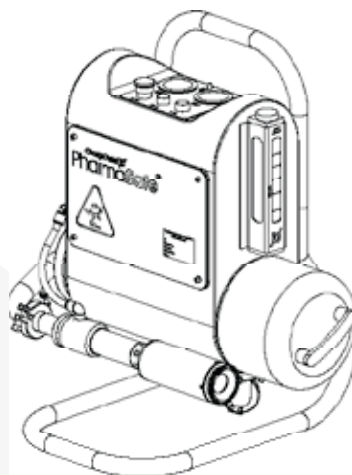
The pneumatic powered compact assembly boasts dual HEPA filters with true pressure differential measurement across each filter, with safe change push through technology.

The unit is available in three mounting configurations to suit application requirements. A bracketed wall mounted option allows for semi permanent functions. The free standing alternative allows the module to be sited on the floor, whereas the mobile system provides location flexibility.

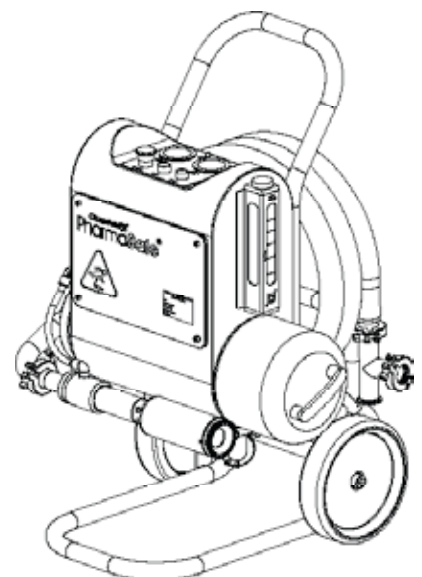
### Mounting Configurations



**Wall Mounted**

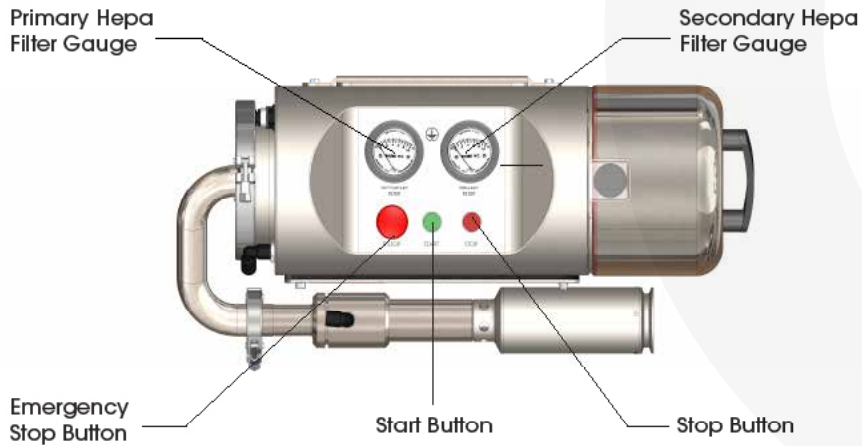


**Floor Standing**



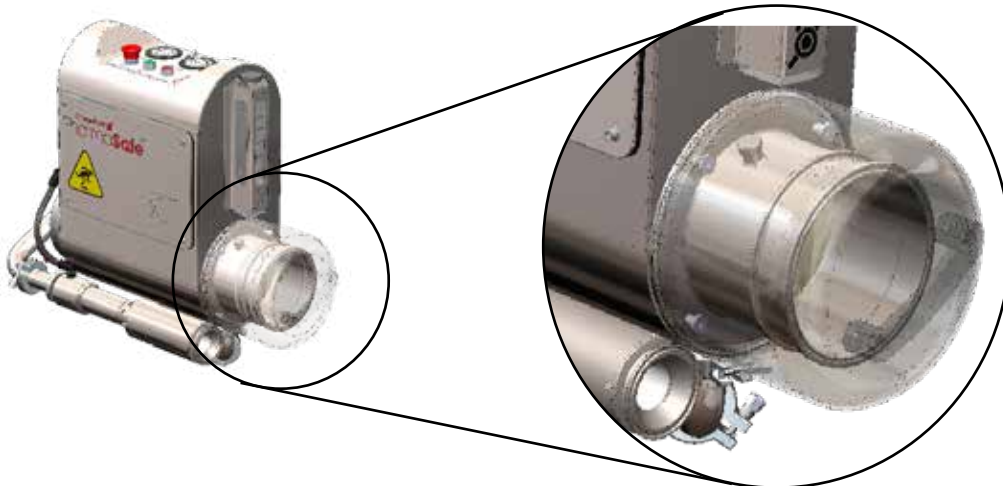
**Mobile**

## Controls

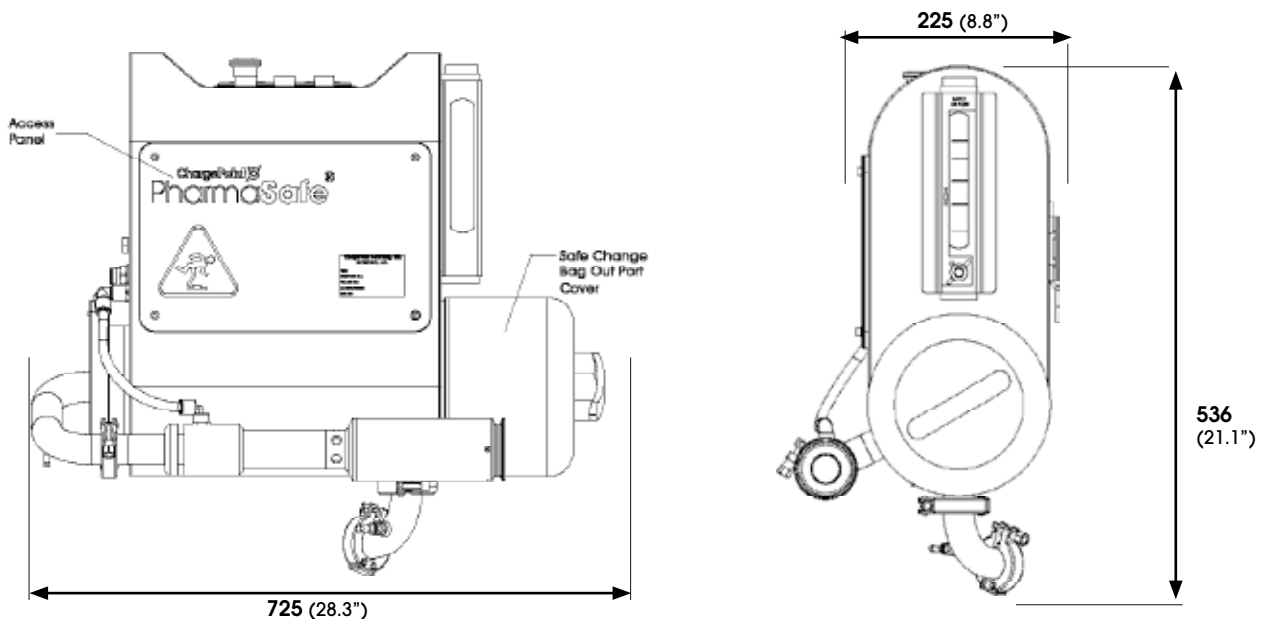


The pneumatic controls consist of single push start/stop push buttons and an emergency stop button. The Dwyer MiniHelic II differential pressure gauge for the primary and secondary filters displays safe operating limits with green and red banding.

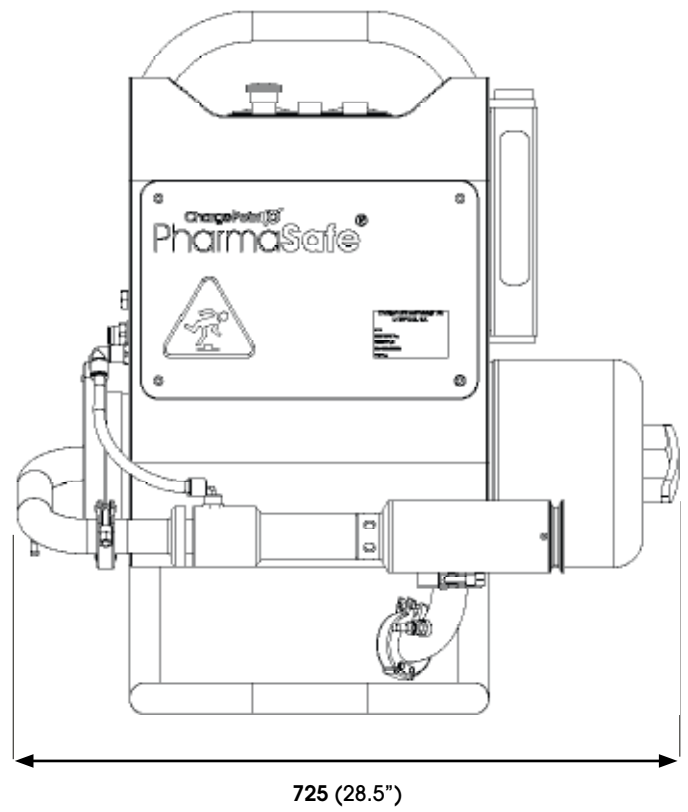
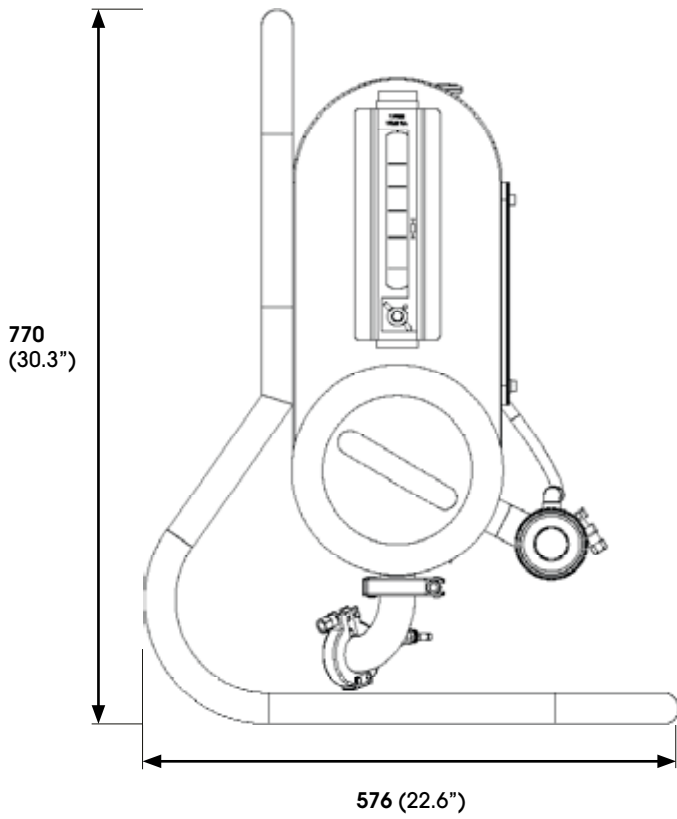
## Safe change filter 'bag-out' port



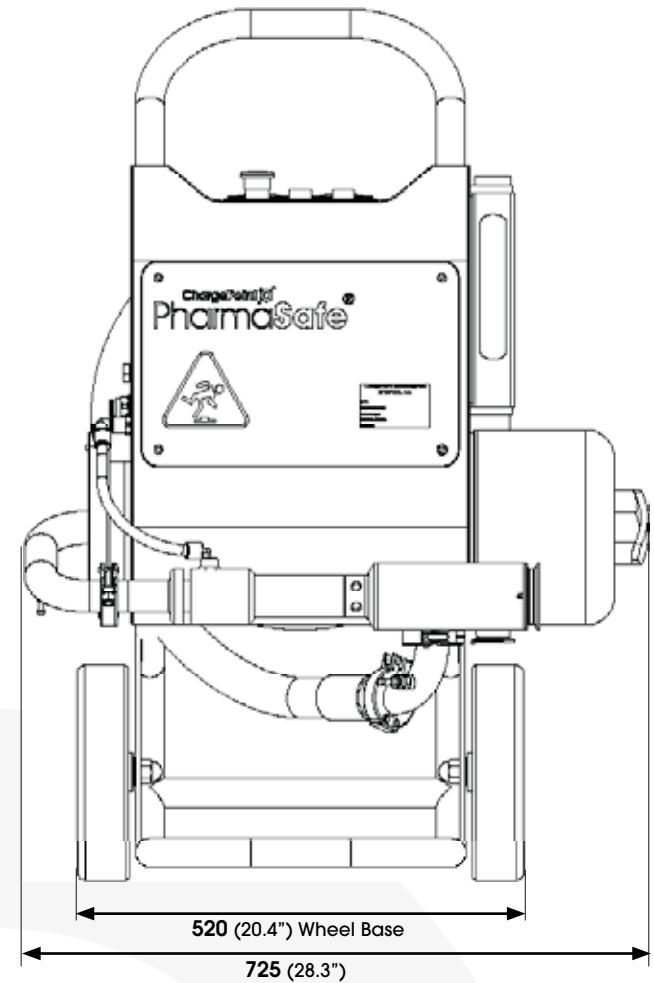
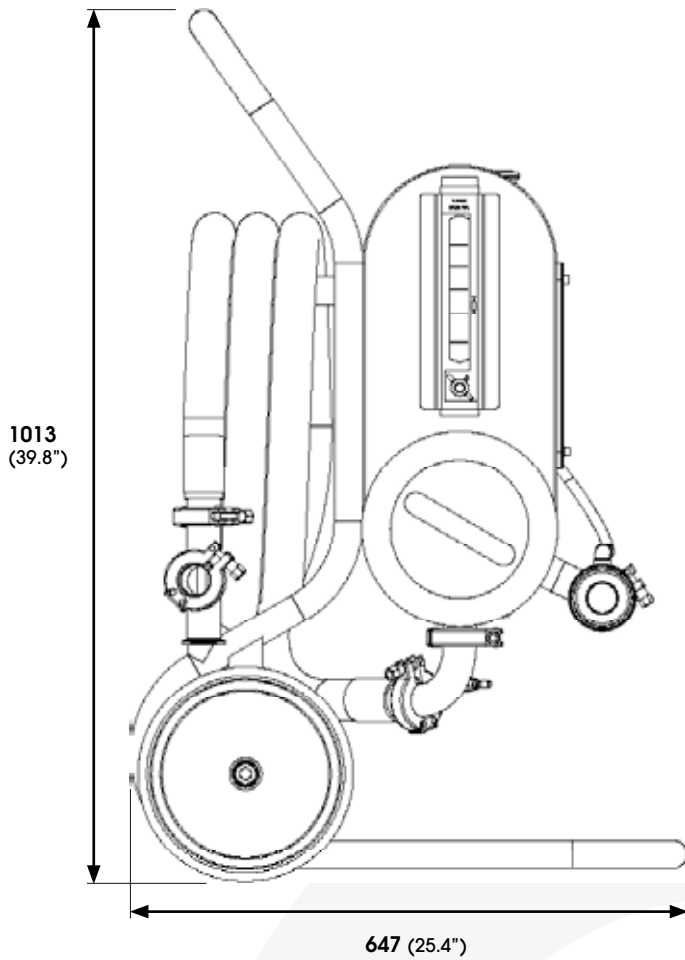
## Wall Mounted Dimensions



## Floor Standing Dimensions



## Mobile Dimensions



## Specifications

<b>Dual 'Push-Push' Type Safe Change Filters</b>	<b>Filters</b>	2 x Push 150 HEPA filter – H14 efficiency to EN1822
	<b>Filter Media</b>	Glass fibre paper
	<b>Frame</b>	ABS Plastic
	<b>Seal</b>	TPE Plastic
	<b>Bag out port</b>	Twist and lock port cover
<b>ChargePoint Valve to Skid Hose</b>	<b>Hose Length</b>	4m
	<b>Material</b>	Translucent PVC Hose with high tensile steel helix centrally positioned. Food quality. Temperature: -40°C up to +150°C
	<b>End Connections</b>	Hygienically swaged 316 stainless steel 1.5" tri-clamp end fittings
<b>Compressed Air Service Supply</b>	<b>Max Static Pressure</b>	6 bar
	<b>Supply Air Flow</b>	710 l/min
	<b>Connection</b>	12mm push in type
<b>DOP Test Connections</b>	<b>Downstream connection</b>	8mm push in type
	<b>Upstream connection</b>	8mm push in type
	<b>Gassing point</b>	1.5" BS4825 Tri-Clamp connection
<b>Extraction</b>	<b>Connection</b>	25mm (1") hygienic ball valve with XXmm (1.5") BS4825 tri-clamp
	<b>Extraction Rate</b>	Minimum extraction rate 1300 l/min.
<b>Gauge</b>	2 x Magnehelic differential pressure gauges for exhaust filter. Independent for primary and secondary filters. Safe operating limits indicated by green and red banding.	
<b>Mounting configuration</b>	<b>Wall mounting:</b>	Two piece bracket for customer to affix to wall or frame (it is the customer's responsibility to ensure the location for mounting is suitable to support the skid assembly).
	<b>Free standing:</b>	Floor standing 304L Stainless steel frame.
	<b>Mobile:</b>	304L Stainless steel with nylon castors, hose support.
<b>Controls</b>	<b>Fully pneumatic</b>	Stop (single push to stop); Start (single push to start); E-stop.
	<b>Required supply</b>	Compressed air at 6 BarG (to be supplied by customer)
	<b>Supply Air Flow Gauge</b>	Range - 4-25 SCFM Air
<b>Connections</b>	<b>Air Supply</b>	12mm Push in
	<b>Exhaust</b>	3" Tri-clamp (BS4825)
	<b>Earth Point</b>	M6 Stud fixed to filter housing
<b>Approximate Weights</b>	<b>Floor Standing</b>	62kg
	<b>Mobile</b>	62kg
	<b>Wall Mounted</b>	40kg
<b>Noise</b>	80db (when measured at 1m from the Extraction Unit). Silencer is available as optional extra.	
<b>Operating Temperature</b>	Minimum: 5°C Maximum: 30°C	
<b>Materials of Construction</b>	<b>Filter Housing</b>	304L Stainless Steel (External 0.8um Ra surface, finish filter tube internal 0.40.04 um Ra)
	<b>Installation</b>	Start stop and differential gauges must be horizontal Proximity to valve: less than 4m from ChargePoint valve Active unit. Free from vibration
<b>ATEX Classification</b>	None Atex version available upon request	
<b>FAT</b>	Performed and documented for each unit supplied	
<b>Documentation</b>	Full operation & maintenance user manual with technical data and material certification is available in electronic or hard copy printed versions	

ChargePoint Technology Ltd reserve the right to change specifications at any time without prior advice or warning. Specifications are correct at time of publishing.



Assisting you throughout the warranty period and continuing to offer our responsive support to ensure continuity of production with Onsite Service Packages, Spare Parts, Consumables and Training delivered via our dedicated support centres in Europe, North America and Asia.

### **Europe, Middle East, Africa & Asia**

ChargePoint Technology Ltd  
Venture Point Business Park  
58 Evans Road, Liverpool, L24 9PB  
United Kingdom  
+44 151 728 4500  
sales@thechargepoint.com

### **Americas**

ChargePoint Technology Inc.  
120 North Main Street, Suite 11  
Forked River, NJ 08731  
United States  
+1 609 549 6165  
USAsales@thechargepoint.com



Find your local representative online:  
[www.thechargepoint.com](http://www.thechargepoint.com)