



# Polfa in numbers



## POLFA IN NUMBERS



**1.7 mld +**

sold units



**80**

years  
of experience



**160+**

business  
partners



**22**

international  
markets



**6350 m<sup>2</sup>**

production  
area



**90+**

employees



**25**

average  
seniority



**44**

male  
employees



**48**

female  
employees

# Our history



POLFA LUBLIN

# Our history



Establishment of the ORFA  
Pharmaceutical Company

1945



Introduction of plastic  
devices for infusion  
and transfusion fluids

1961



Change of name to  
Lublin Pharmaceutical  
Plant "Polfa"

1974



Completion of the company's  
privatization process

2002



Introduction of  
ophthalmic packaging

2014



Focus on the production  
of plastic pharmaceutical  
packaging and accessories

2025

1953



Introduction of  
infusion fluids

1972



Introduction of disposable  
plastic syringes

1997



The first Polish  
pharmaceutical company  
with the ISO 9001 certificate

2009



New product line – plastic  
pharmaceutical packaging  
and accessories

2015



Company rebranding

POLFA LUBLIN

# Our history

 POLFA  
LUBLIN



POLFA LUBLIN

# Polfa today

Today, we are one of the major manufacturers of primary packaging and plastic accessories for the pharmaceutical industry.



# Our assets



## OUR ASSETS

# Production capabilities

### Available technologies

- IM injection molding
- IBM injection blow molding
- ISBM injection stretch blow molding
- extrusion
- EBM extrusion blow molding

### Manufacturing services

- manual and automatic assembly
- printing
- packaging
- ETO gas sterilization
- process validation

### Manufacturing environment

- modern machinery
- cleanrooms of ISO classes 7, 8 and 9
- own laboratories



### Polfa – your OEM partner!

we provide a full range of services from design to implementation of the finished product



## OUR ASSETS

# Quality guarantee

### Certificates

- ISO 9001:2015 – Design, production and distribution of medical devices, primary packaging of medicinal products and products intended for contact with food for infants, young children and adults
- ISO 13485:2016 – Design, production and marketing of plastic medical devices. Service sterilization with ethylene oxide according to EN ISO 11135:2014
- ISO 15378:2018 – Design and production of non-sterile and sterile immediate packaging of medicinal products
- EU QUALITY MANAGEMENT SYSTEM CERTIFICATE in accordance with 2017/745 Annex XI part A (MDR) for the category of medical devices with a measuring function class I in the scope of plastic medical devices with a measuring function



For more, visit:  
[polfa.pl/quality](https://polfa.pl/quality)

OUR ASSETS

# Customer service

**1 CLIENT**

**=**

**1 CONSULTANT**



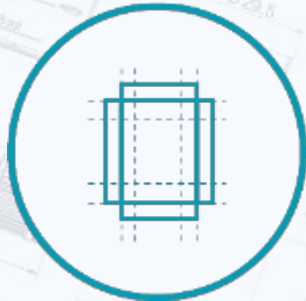
**Full support at every stage of cooperation**

**We value teamwork based on knowledge and diverse competencies. We build the company's position by drawing on the experience of all those who work for Polfa Lublin, as well as their openness to innovative ideas, which are the basis of our innovation.**

Open communication and dialogue are important to us. Our goal is to constructively seek understanding and build partnership relations. By supporting each other, we strive to achieve common goals. The cooperation of people, teams and all entities that make up Polfa Lublin is our success on the market and allows us to strengthen beneficial ties with business partners.

OUR ASSETS

# Unique competencies



project



prototype – 3D model



implementation



industrial production



assembly



sterilization

# Our products



OUR PRODUCTS

# Packaging and accessories



**Ophthalmic packaging**  
bottle, cap  
and dropper



**PET bottles**



**Adapter  
for PET bottles**



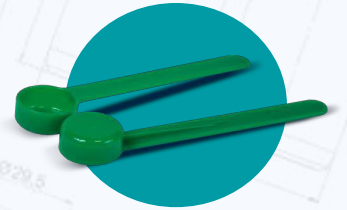
**PET jar**



**PE bottles**



**Bottles  
for dispensing systems**



**Measuring spoon  
2.5 ml**



**Cap Ø35 mm**  
for aluminium tubes



**Caps Ø28 mm**  
with CR safety  
or with security  
and sealing ring



**Cap Ø22 mm**  
with sealing ring  
or with security  
and sealing ring



**Cap Ø18 mm**  
with brush  
and security ring



**Cap Ø18 mm**  
with edge dropper  
or with edge dropper  
and security ring



**Cap Ø18 mm**  
with vertical dropper  
and security ring



**Cap Ø18 mm**  
with security  
and sealing ring

OUR PRODUCTS

# Medical devices



**Dosing syringes  
for medicinal products**



**Measuring cups  
for medicinal products**



**Measuring spoon  
for medicinal products**



**Vaginal applicator  
for medicinal products**

OUR PRODUCTS

# TOP 3 product lines



Ophthalmic packaging



PET bottles



Vertical dropper cap

OUR PRODUCTS | PACKAGING AND ACCESSORIES

# Ophthalmic packaging

vol. 5 ml, 10 ml, 15 ml

USED FOR:



CAPSULES



TABLETS



DROPS



POWDERS



LIQUIDS



GUMMIES



GELS&CREAMS

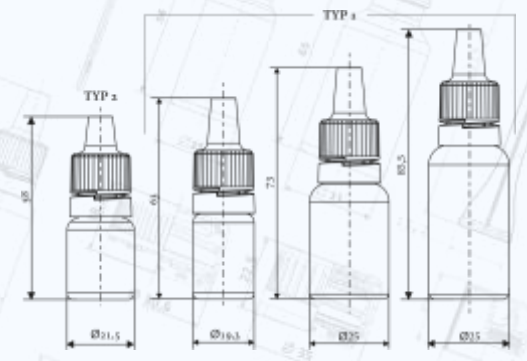


SEE MORE

RELATED PRODUCTS



Product	bottle 5ml, 10 ml i 15 ml	dropper	cap Ø14 mm
Purpose	direct packaging for liquid pharmaceuticals		
Material	LDPE	LDPE	HDPE
Technology	IBM	IM	IM
Packing type 1 (carton)	1 900 pcs (5 ml) 1 600 pcs (10 ml) 1 800 pcs (15ml)	8 000 pcs	2 400 pcs
Packing type 2 (carton)	3 400 pcs (5 ml)	12 000 pcs	3 000 pcs
Additional options	bottle	dropper	cap
Various colours	✓	✓	✓



OUR PRODUCTS | PACKAGING AND ACCESSORIES

# PET bottles

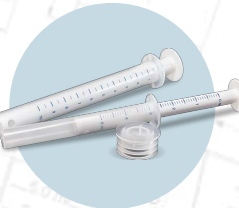
vol. 40 ml, 100 ml, 125 ml, 200 ml

SEE MORE

RELATED PRODUCTS



USED FOR:



Product	40 ml	100 ml	125 ml	200 ml
Purpose	direct packaging for liquid pharmaceuticals and supplements			
Material	PET			
Technology	ISBM			
Packing (carton)	600 pcs	300 pcs	260 pcs	130 pcs
Additional options	40 ml	100 ml	125 ml	200 ml
Various colours	✓	✓	✓	✓



OUR PRODUCTS | PACKAGING AND ACCESSORIES

# Adapter for PET bottles

with NG 28 mm thread

SEE MORE

RELATED PRODUCTS



USED FOR:



CAPSULES



TABLETS



DROPS



POWDERS



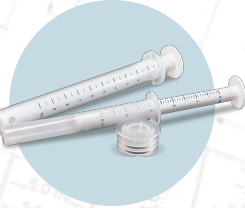
LIQUIDS



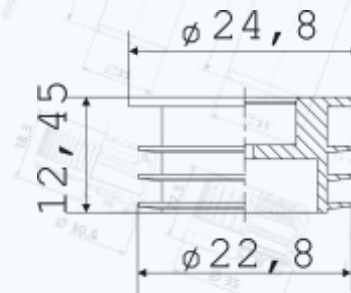
GUMMIES



GELS&CREAMS



Product	adapter for PET bottles
Purpose	used with 5 ml dosing syringe
Material	LDPE
Technology	IM
Packing (carton)	4 000 pcs
Additional options	adapter for PET bottles
Various colours	✓



OUR PRODUCTS | PACKAGING AND ACCESSORIES

# PET jar

vol. 150 ml

USED FOR:



CAPSULES



TABLETS



DROPS



POWDERS



LIQUIDS



GUMMIES



GELS&CREAMS

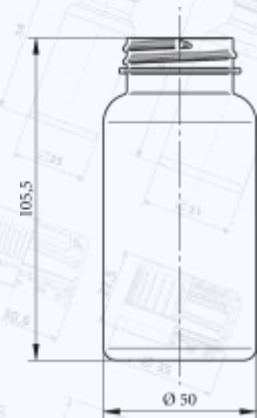


SEE MORE

RELATED PRODUCTS



Product	PET jar
Purpose	direct packaging for solid forms of pharmaceuticals and supplements
Material	PET
Technology	ISBM
Packing (carton)	200 pcs
Additional options	PET jar
Various colours	✓
Dedicated closure	✓



# PE bottles

vol. 60 ml, 125 ml, 200 ml, 250 ml

**USED FOR:**

-  CAPSULES
-  TABLETS
-  DROPS
-  GUMMIES
-  POWDERS
-  LIQUIDS
-  GELS&CREAMS



SEE MORE

RELATED PRODUCTS



<b>Product</b>	<b>PE bottles</b>
Purpose	direct packaging for pharmaceuticals, supplements and cosmetic products
Characteristics	vol.: 60 ml, 125 ml, 200 ml, 250 ml thread dimensions: 24/410, 24/415
Material	HDPE, LDPE
Technology	EBM
Packing (carton)	in accordance with customer's requirements
<b>Additional options</b>	<b>PE bottles</b>
Various colours	✓



# Bottles for dispensing systems

vol. 15 ml, 30 ml

USED FOR:

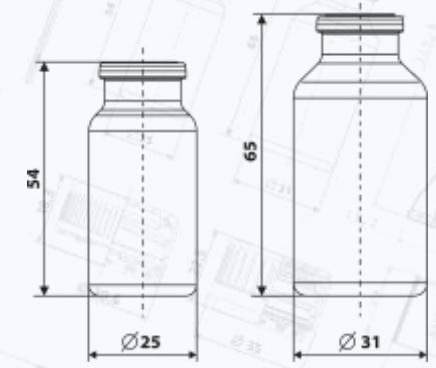


SEE MORE

RELATED PRODUCTS



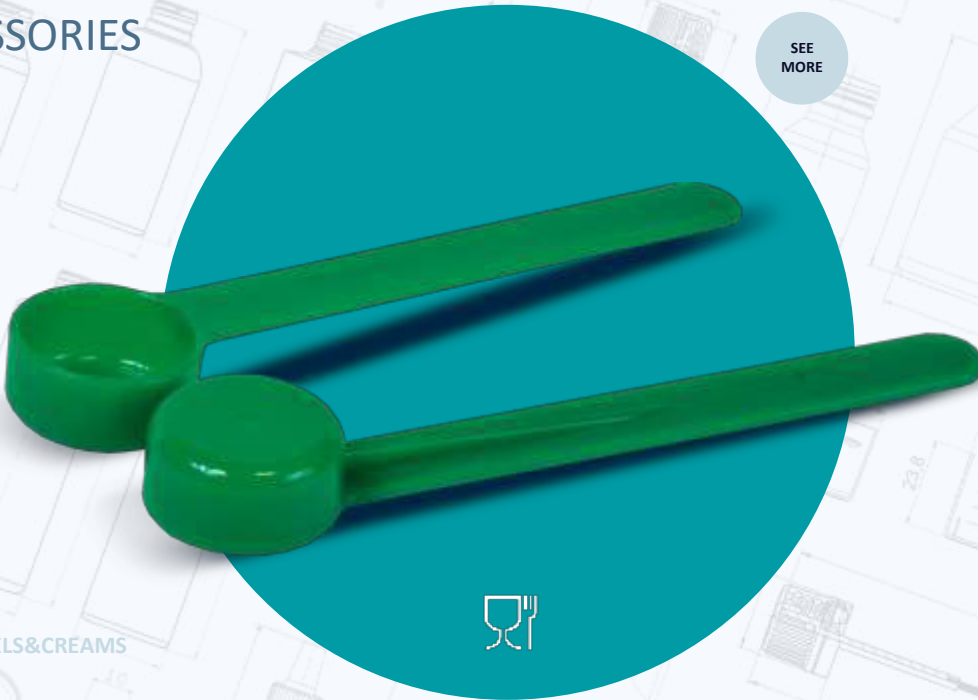
Product	bottle 15 ml	bottle 30 ml
Purpose	direct packaging for liquid pharmaceuticals, gels and suspensions administered using appropriate dispensing systems that guarantee precise dosing	
Material	HDPE	
Technology	IBM	
Packing (carton)	2 000 pcs	1 000 pcs
Additional options	bottle 15 ml	bottle 30 ml
Various colours	✓	✓



OUR PRODUCTS | PACKAGING AND ACCESSORIES

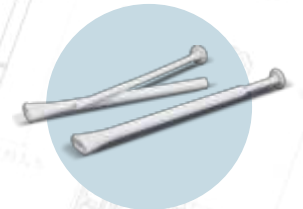
# Measuring spoon

vol. 2.5 ml



SEE MORE

RELATED PRODUCTS



USED FOR:



CAPSULES



TABLETS



DROPS



POWDERS



LIQUIDS



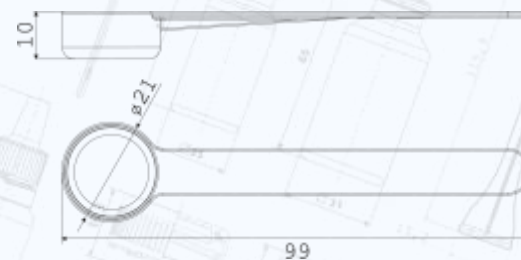
GUMMIES



GELS&CREAMS



Product	measuring spoon
Purpose	for measuring and administration of solid and liquid forms
Volume	2.5 ml
Material	PP
Technology	IM
Packing (carton)	4 000 pcs
Additional options	measuring spoon
Various colours	✓



OUR PRODUCTS | PACKAGING AND ACCESSORIES

# Cap Ø35 mm

for aluminium tubes

SEE MORE

RELATED PRODUCTS



USED FOR:



CAPSULES



TABLETS



DROPS



POWDERS



LIQUIDS



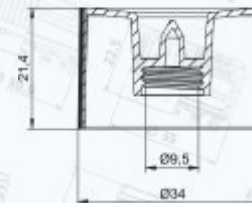
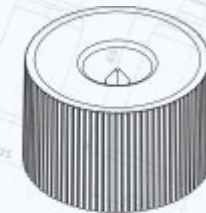
GUMMIES



GELS&CREAMS



Products	cap Ø35 mm
Purpose	cap with a punch for closing aluminum tubes
Characteristics	diameter Ø35 mm, thread M 11x1,5 mm
Material	HDPE
Technology	IM
Packing (carton)	1 700 pcs
Additional options	cap Ø35 mm
Various colours	✓



OUR PRODUCTS | PACKAGING AND ACCESSORIES

# Cap Ø28 mm

with CR safety  
or with security and sealing ring

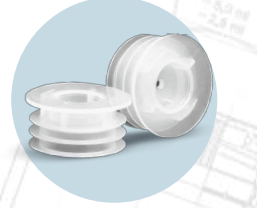
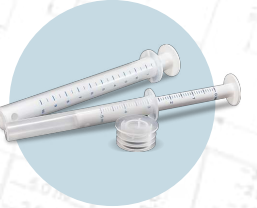
SEE MORE

RELATED PRODUCTS

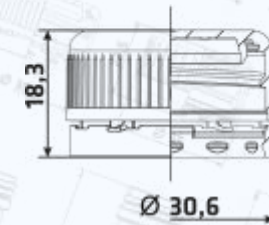
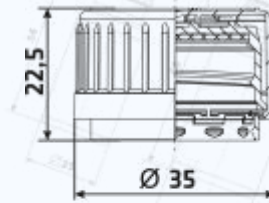


USED FOR:

-  CAPSULES
-  TABLETS
-  DROPS
-  POWDERS
-  LIQUIDS
-  GUMMIES
-  GELS&CREAMS



Product	with CR safety	with security and sealing ring
Purpose	for PET bottles with NG 28 mm thread	
Material	HDPE	HDPE
Technology	IM	IM
Packing (carton)	1 800 pcs	2 500 pcs
Additional options	with CR safety	with security and sealing ring
Various colours	✓	✓



OUR PRODUCTS | PACKAGING AND ACCESSORIES

# Cap Ø22 mm

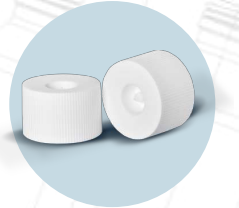
with sealing ring  
or with security and sealing ring

SEE MORE

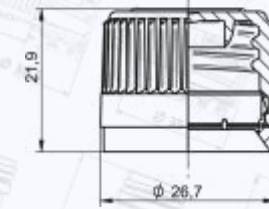
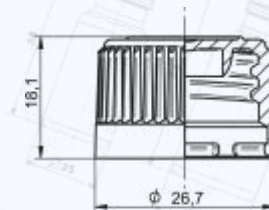
RELATED PRODUCTS



USED FOR:



Product	with sealing ring	with security and sealing ring
Purpose	for glass bottles with GH22 mm thread	
Material	HDPE	HDPE, LDPE
Technology	IM	IM
Packing (carton)	3 000 pcs	2 500 pcs
Additional options	with sealing ring	with security and sealing ring
Various colours	✓	✓



OUR PRODUCTS | PACKAGING AND ACCESSORIES

# Cap Ø18 mm

with brush and security ring

SEE MORE

RELATED PRODUCTS

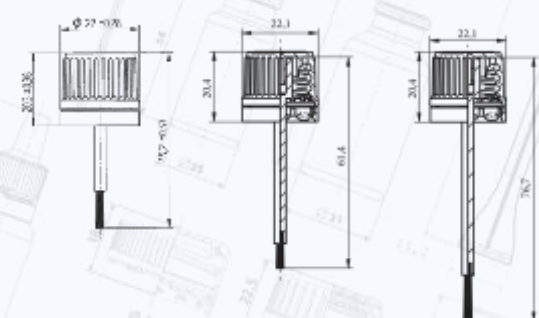


USED FOR:

-  CAPSULES
-  TABLETS
-  DROPS
-  POWDERS
-  LIQUIDS
-  GUMMIES
-  GELS&CREAMS



Product	cap	brush
Purpose	for glass bottles with GL 18 mm thread with brush for precise application of liquid forms	
Material	HDPE	handle – HDPE bristle – PA ferrule – stainless steel
Technology	IM	–
Characteristics	Ø18 mm	length 47.6 mm; 61.4 mm; 76.7 mm
Packing (carton)	3 000 pcs	



Additional options	cap	brush
Various colours	✓	–
Various sizes	–	✓

OUR PRODUCTS | PACKAGING AND ACCESSORIES

# Cap Ø18 mm

with edge dropper  
or with edge dropper and security ring



SEE MORE

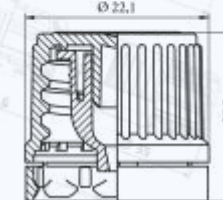
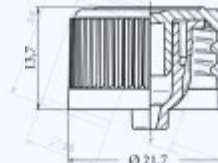
RELATED PRODUCTS



USED FOR:

-  CAPSULES
-  TABLETS
-  DROPS
-  POWDERS
-  LIQUIDS
-  GUMMIES
-  GELS&CREAMS

<b>Product</b>	<b>with edge dropper 1.8 mm</b>	<b>with edge dropper 1.8 mm and security ring</b>
Purpose	for glass bottles with GL 18 mm thread	
Material	cap – HDPE, dropper – HDPE, LDPE	
Technology	IM	
Packing (carton)	4 500 pcs	3 500 pcs
<b>Additional options</b>	<b>with edge dropper 1.8 mm</b>	<b>with edge dropper 1.8 mm and security ring</b>
Various colours	✓	✓



OUR PRODUCTS | PACKAGING AND ACCESSORIES

# Cap Ø18 mm

with vertical dropper and security ring

SEE MORE

RELATED PRODUCTS



USED FOR:



CAPSULES



TABLETS



DROPS



POWDERS



LIQUIDS



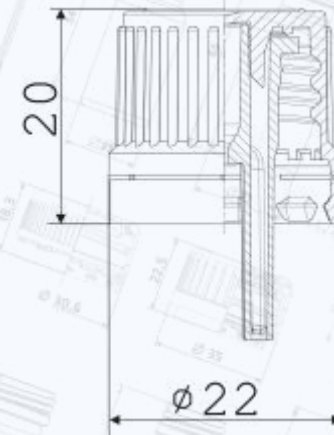
GUMMIES



GELS&CREAMS



Product	cap	vertical dropper
Purpose	for glass bottles with GL 18 mm thread	
Dimensions [mm]	Ø18 with security ring	Ø0.5; 0.6; 0.7; 0.8; 1.2; 1.6; 1.8 permanently placed in the neck of the bottle
Material	HDPE	colourless LDPE with slipping agent
Technology	IM	IM
Packing (carton)	3 500 pcs	
Additional options	cap	vertical dropper
Various colours	✓	✓
Sold separately	✓	✓



OUR PRODUCTS | PACKAGING AND ACCESSORIES

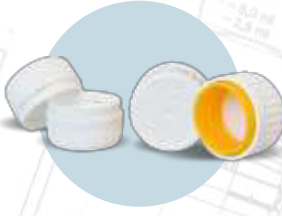
# Cap Ø18 mm

with security and sealing ring



SEE MORE

RELATED PRODUCTS



USED FOR:



CAPSULES



TABLETS



DROPS



POWDERS



LIQUIDS

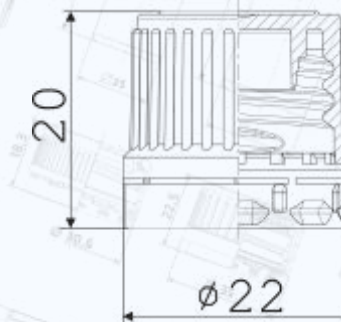


GUMMIES



GELS&CREAMS

Product	cap
Purpose	for glass bottles with GL 18 mm thread
Material	HDPE
Technology	IM
Packing (carton)	3 500 pcs
Additional options	cap
Various colours	✓



# Dosing syringes for medicinal products

vol. 5 ml, 10 ml  
bearing CE 2274 mark

USED FOR:

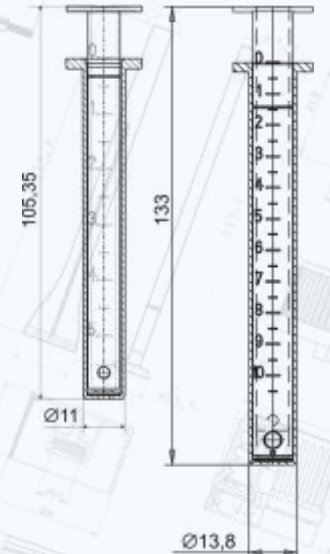
-  CAPSULES
-  TABLETS
-  DROPS
-  GUMMIES
-  POWDERS
-  LIQUIDS
-  GELS&CREAMS



SEE MORE

Product	5 ml	10 ml
Purpose	for measuring and oral administration of liquid medicinal products	
Material	body – LDPE, piston – PS	
Technology	IM	
Scale	graduation in milliliters	
Packing (carton)	1 100 pcs	800 pcs
Additional options*	5ml	10 ml
Various colours	✓	✓
Various prints on piston	✓	✓
Various scales	✓	✓

\*Products can be designed in accordance with client's request



# Measuring cups for medicinal products

vol. 5 ml, 10 ml  
bearing CE 2274 mark

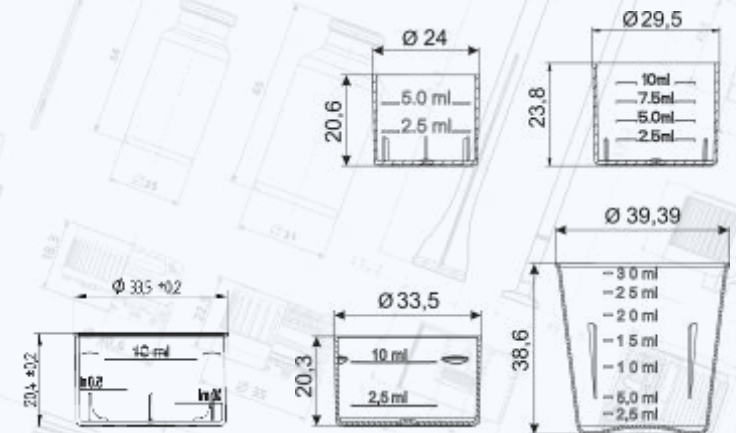
USED FOR:



SEE MORE

Product	5 ml	10 ml	30 ml
Purpose	for measuring and administration of medicinal products		
Compatible caps	Ø18 mm	Ø22 mm (typ 03), Ø28 mm, Ø28 mm (typ 02)	Ø28
Scale	graduation in milliliters		
Material	PP		
Technology	IM		
Packing (carton)	3 500 pcs	1 700 pcs	500 pcs
Additional options*	5 ml	10 ml	30 ml
Various colours	✓	✓	✓

\*Products can be designed in accordance with client's request



OUR PRODUCTS | MEDICAL DEVICES

# Measuring spoon for medicinal products

vol. 5 ml  
bearing CE 2274 mark

USED FOR:



CAPSULES



TABLETS



DROPS



POWDERS



LIQUIDS



GUMMIES



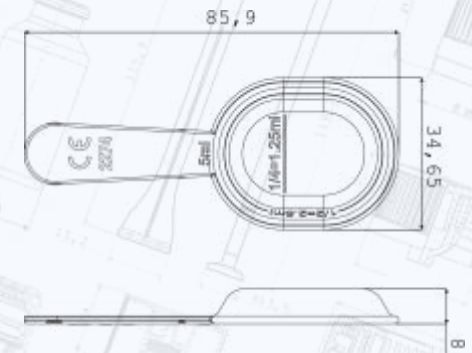
GELS&CREAMS



SEE  
MORE

Product	measuring spoon
Purpose	for measuring and administration of medicinal products
Scale	graduation in milliliters
Scale marking	1.25 ml, 2.5 ml, 5 ml
Material	PS
Technology	IM
Packing (carton)	3 300 pcs
Additional options*	measuring spoon
Various colours	✓

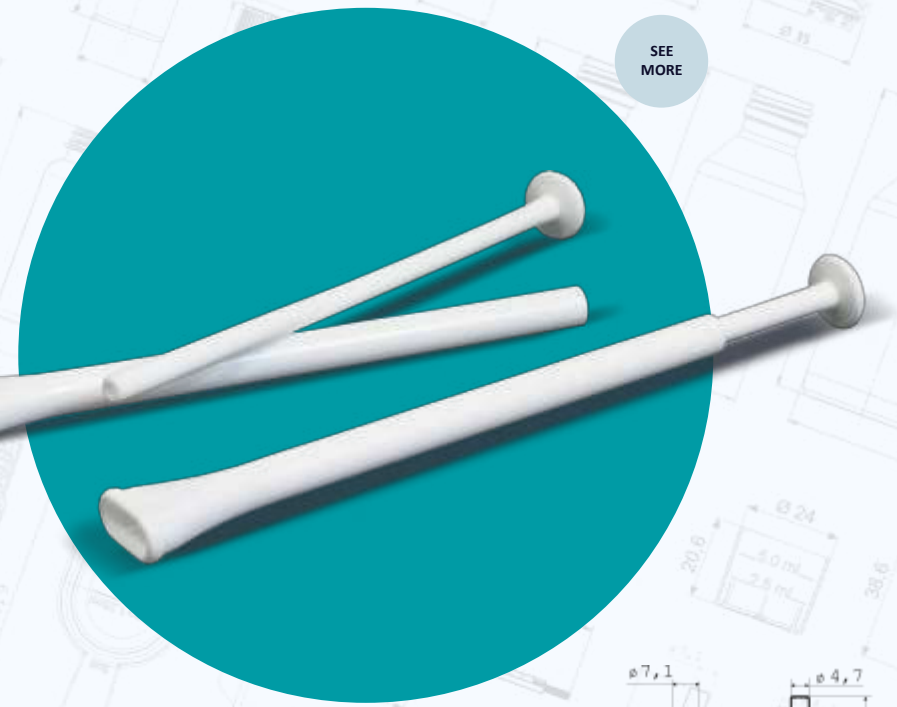
\*Products can be designed in accordance with client's request



# Vaginal applicator for medicinal products

type 100, type 200  
bearing CE 2274 mark

USED FOR:

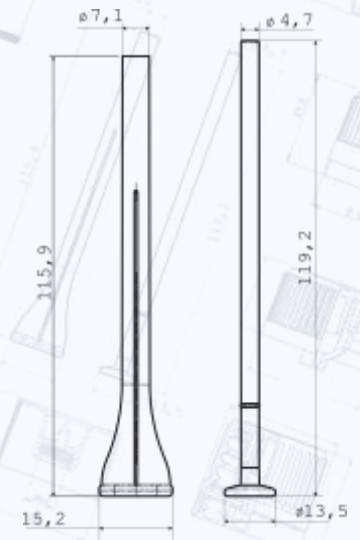


SEE MORE

Product	type 100	type 200
Purpose	for vaginal application of gynaecological medicinal products in tablet form	
Characteristics	piston and body with flexible tip to accommodate different tablet sizes	
Material	LDPE	
Technology	IM	
Packing (carton)	320 pcs	

Additional options*	type 100	type 200
Various colours	✓	✓

\*Products can be designed in accordance with client's request



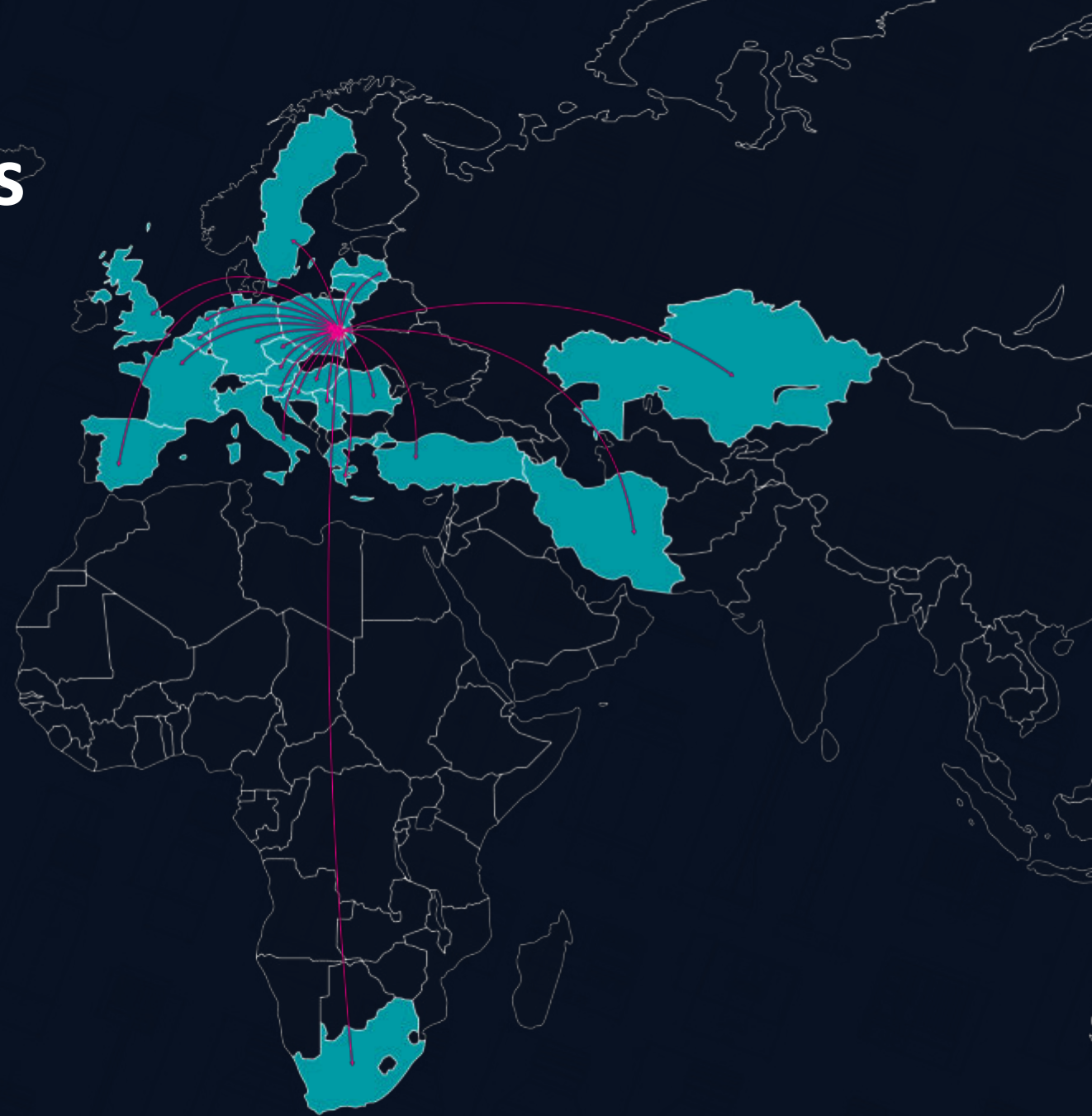
# Cooperation



POLFA LUBLIN

# International markets

- Austria
- Belgium
- Croatia
- The Czech Republic
- France
- Greece
- Spain
- Netherlands
- Iran
- Kazakhstan
- Lithuania
- Latvia
- Germany
- South Africa
- Romania
- Serbia
- Sweden
- Slovenia
- Turkey
- Great Britain
- Hungary
- Italy



The background features a dark blue space with a network of glowing blue lines and dots. In the foreground, several hands are stacked together in a gesture of unity and teamwork.

# COMMON SUCCESS

Packaging engineering • IM • IBM • ISBM • EBM  
Manual and automatic assembly • Packing • ETO Sterilization  
Process validation • Quality control • Own laboraotories

POLFA LUBLIN

# We think green

**We are aware of the threats associated with the environmental degradation and climate change. We therefore consider them when planning and achieving our business goals.**

We operate in accordance with applicable law, with a view to constantly limiting the negative impact on the environment as well as the quality and living conditions in the area of our impact.

According to the idea of sustainable development, we use advanced technological solutions and the highest environmental protection standards. We also shape ecological attitudes in our team by emphasizing the role of environmental protection in our goals.

We value any steps taken by our employees which may protect climate and improve the state of the environment. Finally, we support our contractors and clients in the pursuit of the most balanced supply chain.



POLFA LUBLIN

# Contact us



**Sales and Marketing Department**

Tel.: + 48 81 524 66 72

[marketing@polfa.pl](mailto:marketing@polfa.pl)

Polfa Lublin SA

Wojciechowska 42

20-704 Lublin



**Get to know us!**

Scan to see our company video.