



# Domino D3 | 0-Series Laser Marker

Versatile and reliable solution for Marking on a wide range of substrates



The all new compact edition of our successful CO<sub>2</sub> laser Marker designed to fit into the smallest of spaces.

Domino. Do more.

## Compact lasers with built-in flexibility

**D310-Series** are flexible, compact, lightweight 30W laser markers, ideally suited to today's on-the-fly marking requirements on product packaging, consumer and industrial goods.

**D310-Series** are typically used to create codes which include multiple elements such as text, shapes, pictures, dates, times, and machine-readable codes, using a variety of 1D and 2D code formats including QR codes.



## Diverse range of applications

The **D310-Series** works across a wide range of substrates, with various marking area sizes and flexible label editing software to create a large variety of codes and layouts.



Ideal for high quality 2D Data Matrix codes



High-quality at fast line speeds



Special lasers for clear codes on PET and PP materials

## Easy to integrate and use

- ◆ **D310** is the smallest and lightest CO<sub>2</sub> laser in its class
- ◆ Built-in controller means no additional control box
- ◆ **D310e** has a vertical mounting option when space is at a premium
- ◆ LM Editor QS software with every laser provides an easy to use operator interface and label editor

## Flexibility

- ◆ Three laser wavelengths code on a wide range of materials
- ◆ Six lenses for a wide range of marking field size
- ◆ Optional IP55 rating for tough environments
- ◆ Codes can consist of multiple lines and elements including text, shapes, images, dates, times, variable data, and many 1D and 2D code formats

## Safe and compliant design

- ◆ Designed and tested to international EMC, electrical and laser safety standards
- ◆ Integral safety interlock design certified to ISO13849-1 Performance Level D (PLd)
- ◆ Supplied with laser guarding for safe installation and fume extraction for a clean working environment



### Greener credentials

Domino's commitment to and investment in sound environmental practices means we frequently exceed demanding governmental, industry, and company standards and requirements. We are committed to minimising the consumption of natural resources and energy and the creation of waste. Additionally, our products are RoHS and WEEE compliant so that they are recyclable.

### D310-Series

The **D310** and **D310e** provide superior marking with no need for consumables and a 30% reduction in weight compared to other models-minimising waste and helping to reduce your carbon footprint. Automatic temperature-controlled fan cooling means the marker saves energy whenever applications allow.

GTIN 15896743268867  
EXP MAY 2010  
Batch UK566164S3  
Ser.Nr. 268374921672

# D310/310e – Laser Marking System Advantages



**ControlPanel** or IPC with LM Editor QS – easy to use and minimises errors



Integrated Domino DPX fume extraction provides a simple solution to maintain a clean working environment while optimising laser performance and lifetime

Optimised space utilisation - Integrated laser head and controller

IP rated - Reliable operation in harsh environments



Cooling fan design – ensure normal and efficient operation of the laser tube

Flexible mounting – 0 and 90 degree scan head positions



Easy installation and integration – full-length mounting rails

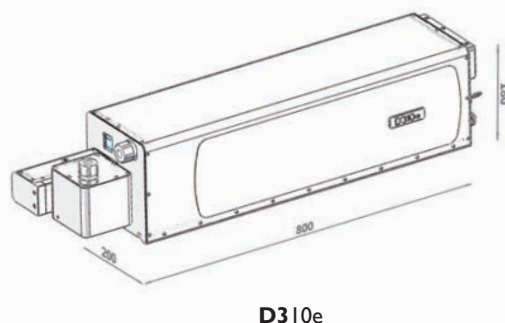
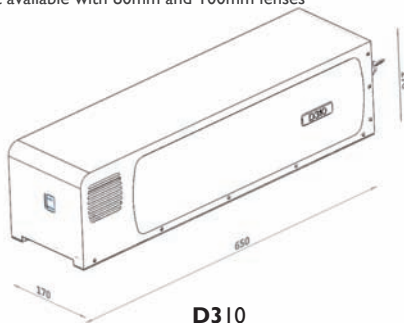
**Domino. Do more.**

## Technical Specifications

	D310			D310e		
<b>Laser specification</b>						
Laser tube type	Black	Red	Blue	Black	Red	Blue
Wavelength (µm)	10.6	10.2	9.3	10.6	10.2	9.3
Nominal laser power (W)	30	25	20	30	25	20
F-theta lens options (mm)	Focal length = 80, 100, 120, 150, 200, 250					
Laser class	Class 4					
Integrated aiming beam	No			Yes**		
Axial Option	No			Yes**		
<b>Coding features</b>						
Characters per second	1000*					
Product line speed (m/min)	350*					
Number of lines of text	As many as desired*					
Fonts	Multi-language including Unicode					
Mark field (mm)	58x58	68x68	84x84	102x102	136x136	180x180
User interface language	User selectable between English, simplified or traditional Chinese, Japanese, Korean, Thai, Vietnamese, and Indonesia Bahasa					
Operating system	Laser coder - embedded Linux   User interface - Windows® 10					
User interface software	LM Editor QS software					
Laser construction	Stainless steel and anodised aluminium					
Weight and dimensions (mm)	21kg	170x170x650			25kg	200x180x800
<b>Input and output</b>						
Product detect inputs	NPN / PNP / 24V sensor					
Product speed detect	NPN / PNP / differential encoder					
Signal inputs	Laser start / mark control / mark on / program in / user input					
Signal outputs	Laser ready / laser busy / fume extractor on / user output / beacon			Laser ready / laser busy / fume extractor on / user output / beacon / air control		
Communications	Ethernet - 1 x RJ45					
Power consumption (max)	1000VA					
Electrical requirements	100 to 230V 50-60Hz (tested to 85-265VAC 47-63Hz)					
Input current (max)	7A					
24V DC output -(max current)	0.7A					
<b>Environment</b>						
Laser system	Standard (fan cooled)			IP55 (compressed air cooled)		
Operating temperature	5°C to 45°C (41°F to 113°F)					
Operating humidity	90% non-condensing					
Options	Emergency stop, beacon, laser stand, fume extractor, laser guarding					
User interface options	10" Domino <b>ControlPanel</b> (IP65), 15" IPC touchscreen, or suitable Windows® 10 PC / HMI					

\* Characters per second and production line speed depends on material surface and coding content

\*\* Aiming beam not available with 80mm and 100mm lenses



[www.domino-printing.com](http://www.domino-printing.com)

V120/1013 We reserve the right to change the design or specification of our products without notice. Some of the information contained in this brochure is general in nature and customers should check that it is applicable to their individual circumstances.



Please contact us for any assistance regarding disposal of Domino E-Waste (Printers and Electrical Spare Parts) on [ewaste@dominoindia.com](mailto:ewaste@dominoindia.com)



We reserve the right to change the design or specification of our products without notice. Some of the information contained in this brochure is general in nature and customers should check that it is applicable to their individual circumstances.

**Domino Printech India LLP**  
 Plot No: 167, Udyog Vihar Phase I, HSIDC,  
 Sector 20, Gurugram - 122016, Haryana  
 Email:- [marketing@dominoindia.com](mailto:marketing@dominoindia.com)  
 Contact No:- 0124-4886100