

This publication supersedes and replaces any previous edition and revision. All rights reserved. No part of this publication may be reproduced, stored in a retrieval system or transmitted in any form or by any means, electronic, mechanical, photocopying, recording or otherwise, without permission of Tecnicam s.r.l. (Bologna - Italy). The technical data, the images and the diagrams are exclusively indicative and not binding, they might be modified without notice.



**CAM** ALWAYS BY YOUR SIDE

# MX/F

**HIGH SPEED TRAY PACKAGING MACHINE  
WITH PLATE SEALING**

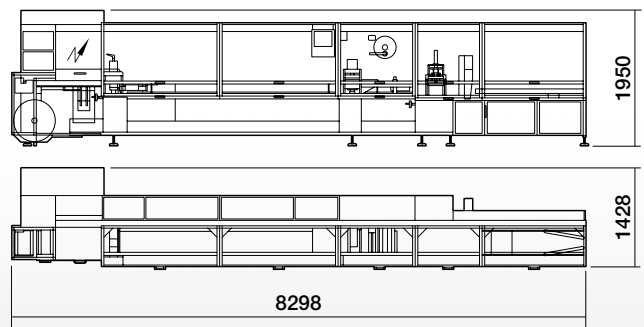
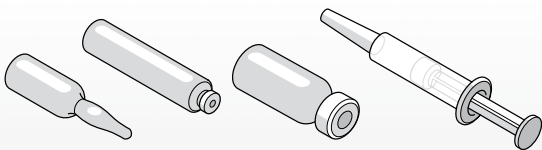
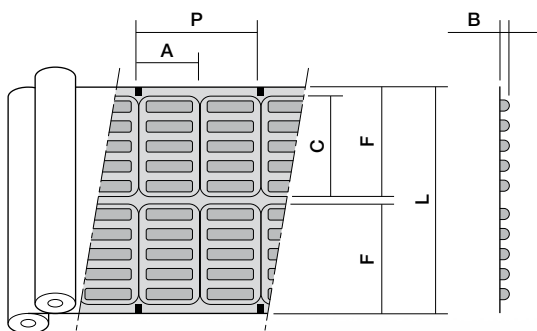
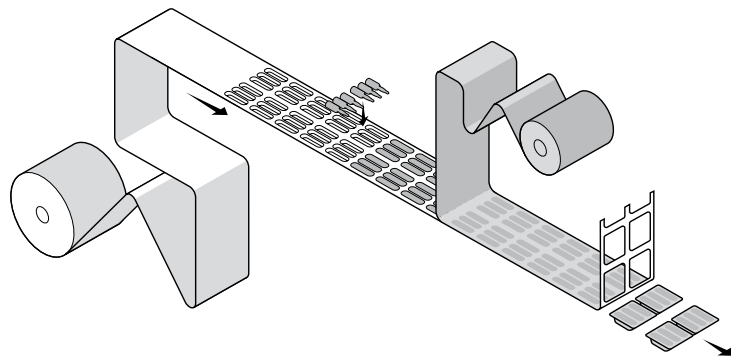
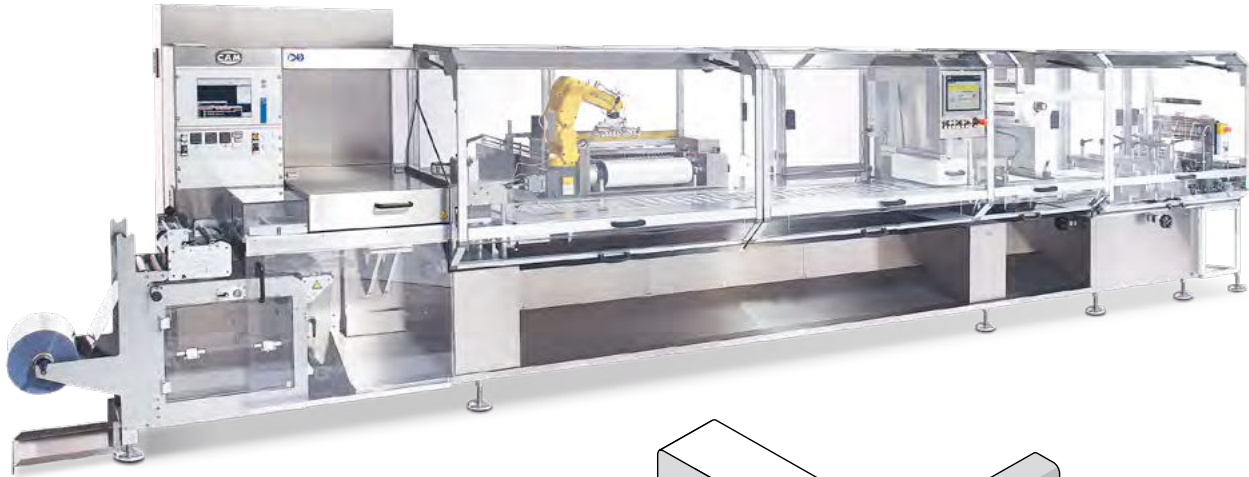


This publication supersedes and replaces any previous edition and revision. All rights reserved. No part of this publication may be reproduced, stored in a retrieval system or transmitted in any form or by any means, electronic, mechanical, photocopying, recording or otherwise, without permission of Tecnicam s.r.l. (Bologna - Italy). The technical data, the images and the diagrams are exclusively indicative and not binding, they might be modified without notice.



# MX/F

## HIGH SPEED TRAY PACKAGING MACHINE WITH PLATE SEALING



### TECHNICAL DATA

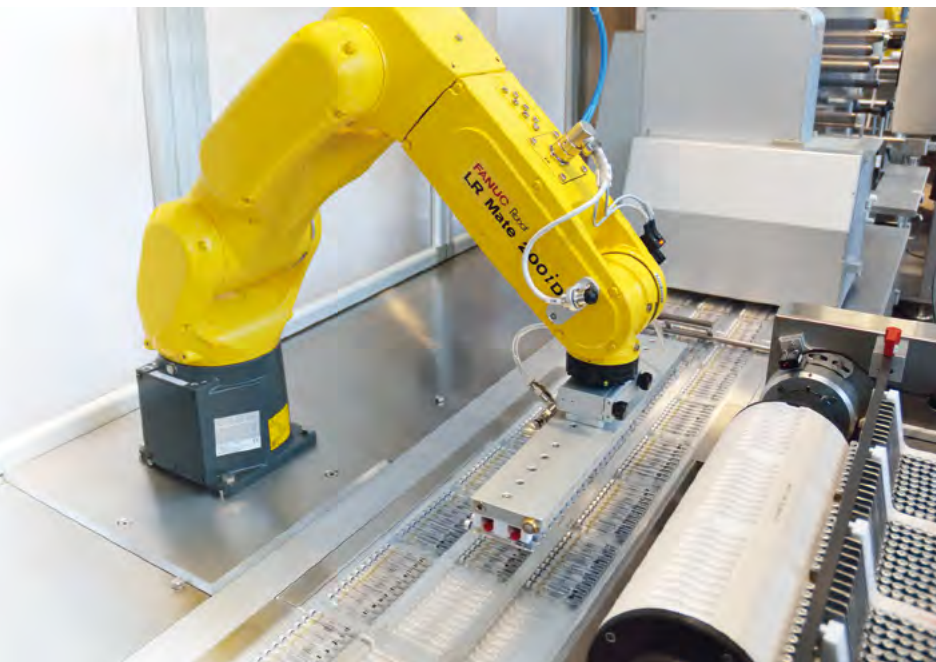
Production up to	BLISTERS/1'	500
Mechanical speed	STROKES/1'	20-45
Power absorption	kW	15
Air consumption	NI/1'	500
Air pressure	bar	6
Net weight	kg	~4200

**Forming materials** PVC; PVC/PVDC; PVC/ACLAR; PVC/ALU/PA; PVC/ACLAR/PVC; COC; PETG

Production speed may vary depending on product and material

Size range	Min.	Max.
<b>L</b> Web with [mm]	90	286
<b>P</b> Stroke length [mm]	120	204
<b>A</b> Blister width [mm]	40	200
<b>B</b> Forming Depth [mm]	10	26 (32*)
<b>C</b> Blister length [mm]	50	130
<b>F</b> Blister rows across the web	1	3
<b>(N)</b> Blister rows along the pitch	1	5
<b>(G)</b> Number of blisters per cycle	1	10

\* Optional upgrade



**MX/F** is an intermittent motion thermoforming machine for ampoules and vials with mechanical web transfer and flat cutting die. The machine can be equipped with a sealing station for tray with lid packing. The new machine widens the range of **MX** blister machines with balcony structure in the loading area, has small overall dimensions and is simple to be used, which is typical of CAM blister machines.

The new versions of **MX** are designed paying special attention to fast and intuitive format change-over and

taking special care over cleaning and inspection operations in compliance with GMP standards.

The machine operation and reliability are also guaranteed by safety devices promptly detecting overloads. Thanks to CAM experience, special care has been taken over format change-over, designing each part in view of a fast replacement by minor intuitive operations. Systems for sealing, forming and cutting plates, plain guides for product load deck, sensors detecting their correct position, make format change-over simple even for unskilled operators.

This publication supersedes and replaces any previous edition and revision. All rights reserved. No part of this publication may be reproduced, stored in a retrieval system or transmitted in any form or by any means, electronic, mechanical, photocopying, recording or otherwise, without permission of Tecnicam s.r.l. (Bologna - Italy). The technical data, the images and the diagrams are exclusively indicative and not binding, they might be modified without notice.



# COMPLETE PACKAGING LINES

[www.campackaging.it](http://www.campackaging.it)

MACHINE LEAFLET

**A.M.R.P. HANDELS AG**  
Vogesenstrasse 132 - CH-4056 BASEL  
T. +41 61 3868686 - Fax: +41 61 3868602  
[info@amrp.ch](mailto:info@amrp.ch) - [www.campackaging.it](http://www.campackaging.it)

**GB Gnudi Bruno s.p.a.**  
Via Ernesto Masi, 9 - 40137 Bologna - Italia  
T. +39 051 4290611 - Fax: +39 051 392376  
[info@gbgnudi.it](mailto:info@gbgnudi.it) - [www.gbgnudi.it](http://www.gbgnudi.it)